

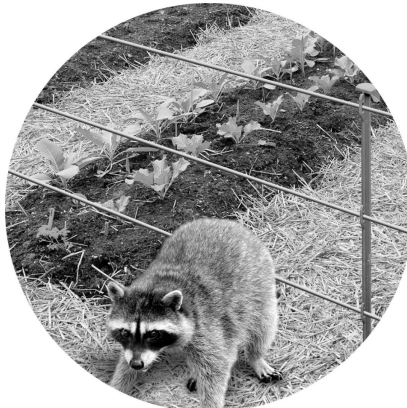
HOW DOES YOUR **Garden Grow**

ELECTRIC FENCE KIT

Installation, Operating and Warranty Instructions



FUN



SAFE

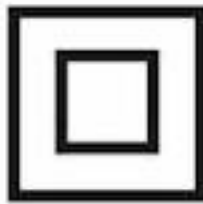


SAVE \$\$\$



CAUTION: To reduce the risk of electric shock, do not remove cover. Refer servicing to qualified service personnel.

CAUTION



DOUBLE INSULATION: When servicing, use only identical replacement parts.

Safety Considerations:

- WARNING:** Do not simultaneously connect energizer to a fence and to any other device, such as cattle trainer or a poultry trainer. Otherwise, lightning striking your fence will be conducted to all other devices.
- CAUTION:** Risk of electric shock! To reduce the risk of electric shock, this fence controller has a polarized plug (one blade is wider than the other). This plug will fit in a polarized outlet only one way. If the plug does not fit fully in the outlet, reverse the plug. If it still does not fit, contact a qualified electrician to install the proper outlet. Do not change the plug in any way.
- Use the electric fence warning signs where ever humans may come in contact with the fence.
- Never electrify barbed wire or loose fencing materials that risk entanglement of a human or animal. Exposure to continuous or multiple shocks is dangerous.
- Stay away from the fence energizer and from the fence line just before and during lightning storms. In lightning prone areas, disconnect the energizer from the fence and from the power supply in advance of storms to prevent damage to the energizer.
- Follow all national, state and local regulations that may apply to installation of electric fence in your area.
- Refer to authorized repair centers for service. There are no user serviceable parts. Never alter the design of the energizer. It is dangerous and will void the warranty.
- Always unplug the energizer before handling.
- Never put more than one energizer on a fence. It is dangerous because it may reduce the time between pulses, may damage the energizer and will void the warranty.
- Do not run fence wire above ground near high voltage power lines. If too close, the electric fence may pick up dangerous levels of power from high voltage lines. Never cross under a high voltage line with electric fence.
- Always maintain an adequate ground system securely attached to the energizer.

- WARNING!** Never touch the live fence with the head or mouth.

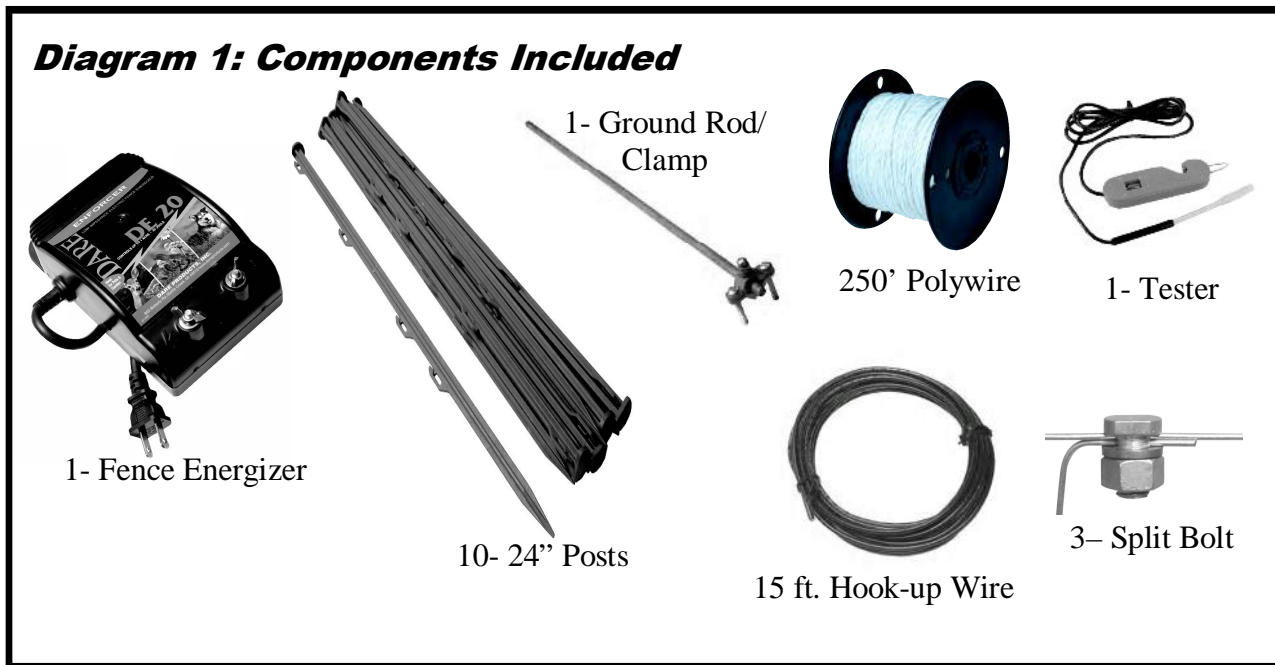
- DANGER**—Service double insulated appliances with identical parts only. Double insulated energizers include two systems for insulation instead of grounding.

- WARNING!** Sparks may occur in electric fence systems. Therefore, during periods of high risk, electric fence energizers should be turned off.

- WARNING!** Electric fences are very effective psychological barriers when properly installed and when animals are trained to the fence. Electric fences are NOT complete physical barriers. Erratic animal behavior cannot be predicted and occasional fence penetration can occur. Therefore, Dare Products assumes no liability for animal containment, injury or the consequences for misuse of the equipment.

Keys to successful energizer installation

1. Carefully install a complete ground system. Most electric fence failures are caused by an improper ground system.
2. Take time to properly connect lead-out wire, ground wire and fence line splices. Make sure all connection surfaces are secure.
3. Use adequately insulated hook-up wire. Never use standard household wire, typically rated for only 600 volts or less.
4. Maintain proper distances from buried and above ground utility company ground rods, water pipes, metal siding, telephone wire and stock watering tanks.



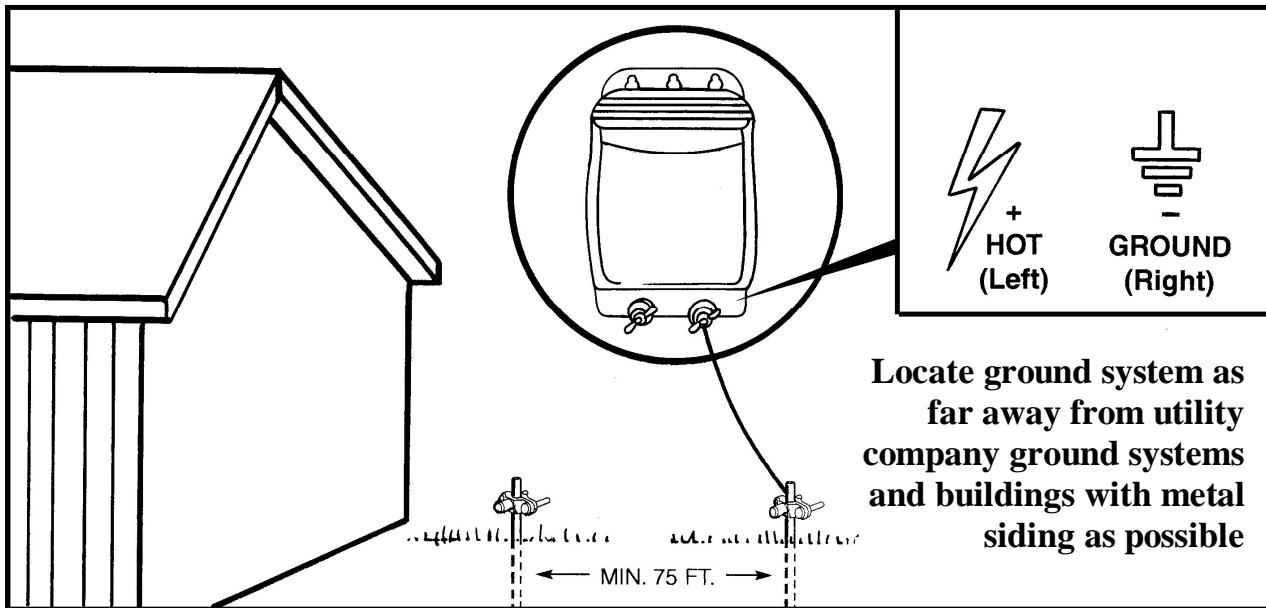
Installation Step 1

Installing the ground system:

The ground system is a highly conductive ground rod (or ground rods depending on your soil condition) driven into the soil and then connected to the ground terminal of your fence energizer. The ground system collects electrons from the soil to complete the circuit needed for delivery of effective shock. An improperly installed ground system will limit or prevent the fence line from delivering an effective shock.

1. Locate an area of soil for placing the ground rod(s) that contains good conductive earth (not rocky or sandy). Soil that is moist throughout the year is best. Set up your ground system within 75 feet of your fence energizer and 15 feet away from buildings when possible.
2. Locate ground system as far away from utility company (electric, gas, water) ground systems as possible - 75 feet is recommended. Avoid placing near underground water pipes, metal water tanks and buildings with metal siding if possible.
3. Drive the provided ground rod into the ground leaving enough exposed to connect the provided ground clamp. You will use the 15' hook-up wire from here to the energizer. Additional ground rod(s) may be required if the soil is very dry, but garden areas are usually moist.

Diagram 2. Ground Rod System



Installation Step 2

Installing the fence energizer:

1. Mount the fence energizer at a height out of reach of small children and animals if possible, protected from weather and moisture and away from all flammable materials and gasses in a well-ventilated area. See diagram 3.
2. Install the fence energizer indoors when possible. If it is necessary to install the fence energizer outdoors, protect the energizer and all electrical connections from exposure to the elements. For examples see diagram 4.
3. Before connecting the fence and ground terminals, plug the energizer in and check to see if the indicator light is on and gently pulsates. The light should be pulsating at approximately 1 second intervals. UNPLUG the energizer before making fence connections.

Diagram 3. Indoor Installation

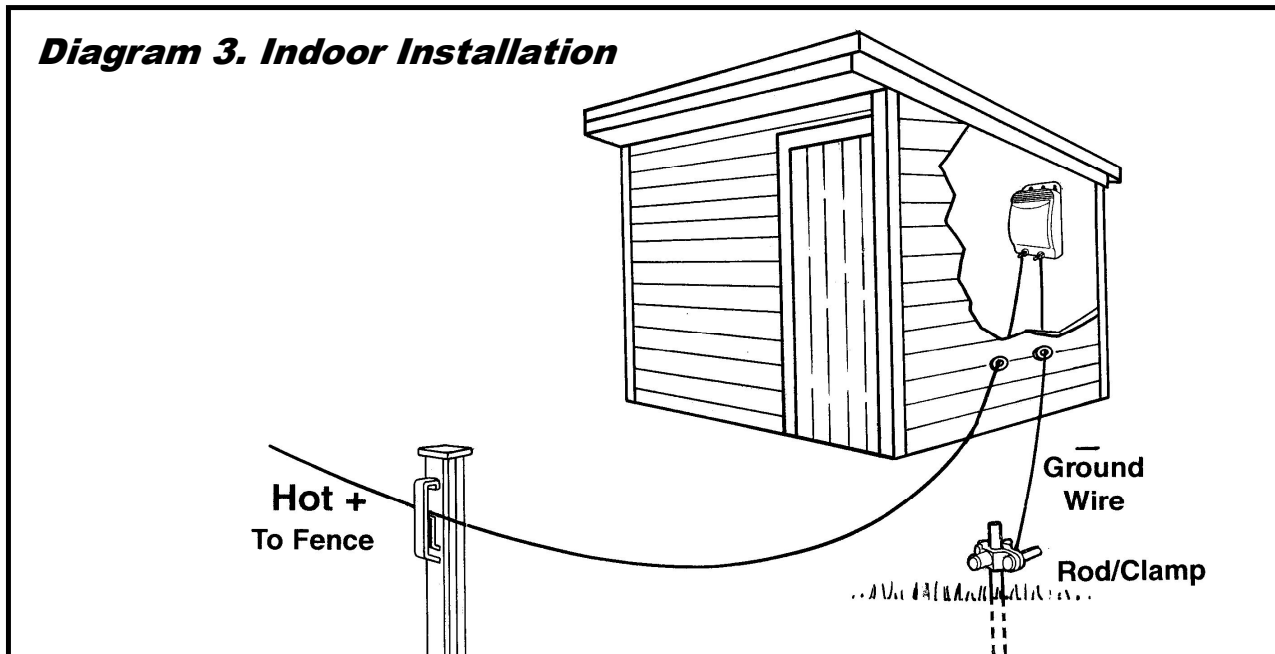
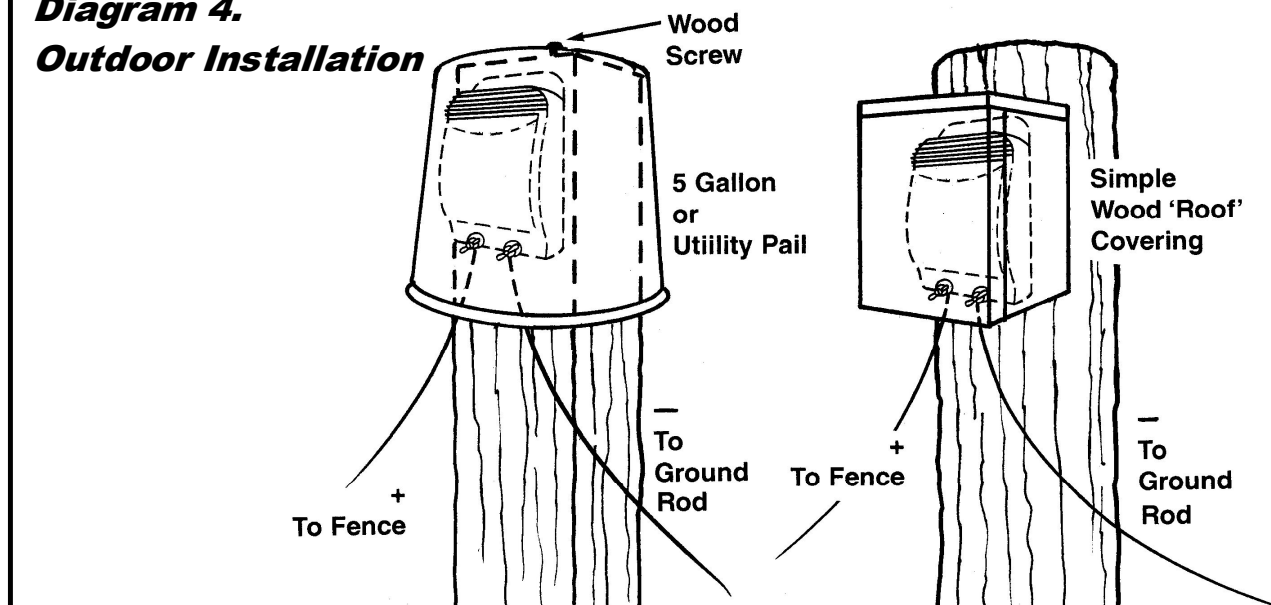


Diagram 4.

Outdoor Installation

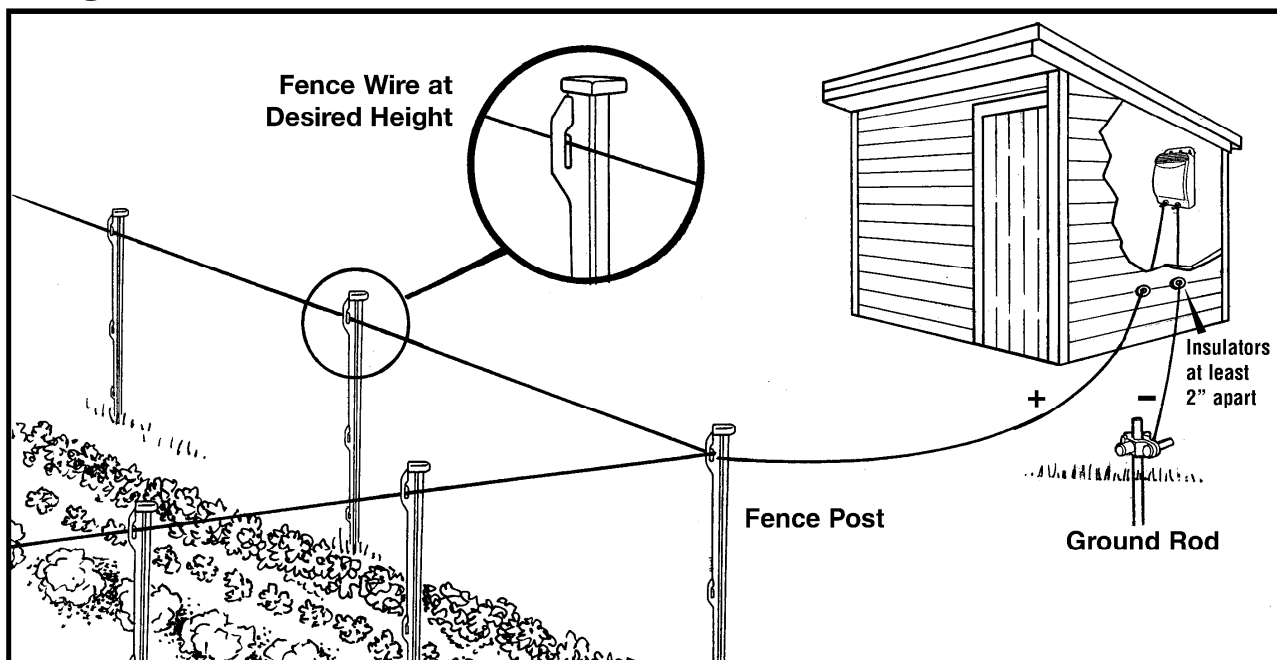


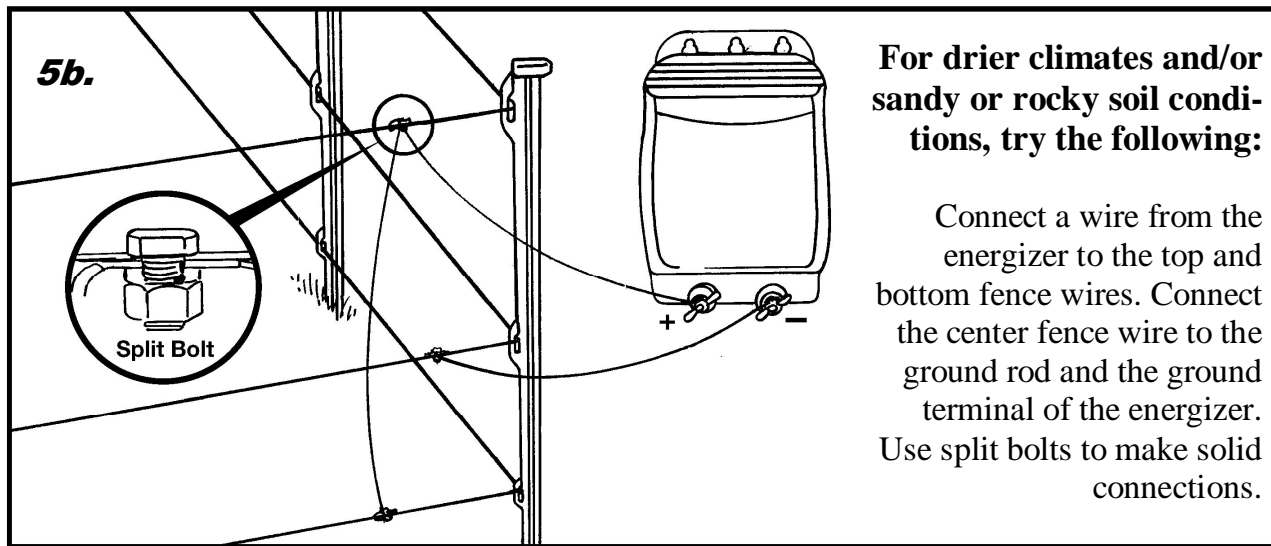
Installation Step 3

Installing the fence posts and wire:

1. Locate the fence within 75 feet of your ground system. Place the provided posts in the area which you plan to contain. Space the fence posts a maximum of 10 feet apart. Attach the fence wire to the posts by sliding the wire into the clips of the fence posts. See Diagram 5a.
2. Make sure each hot + wire is connected to the fence energizer directly or by using a split bolt that connects to the first wire. See diagram 5b.
3. The fence wires need to be clean and free of grass or other foliage. Any foliage touching the fence wires can short the fence to ground and will adversely affect the fence performance. It may be necessary in your situation not to use the bottom set of clips on the fence posts for running a charged wire.

Diagram 5a. Fence Installation





Frequently Asked Questions

Q. Is electric fencing safe for my pets and children?

A. Yes, if installed properly. The fence energizer is built to UL specifications, pulsates once per second vs. continuous current and has very low amperage.

Q. Do you have to make a complete loop with the hot fence wire?

A. No. The energy pulse travels down the fence line and when the animal touches the wire, energy passes through the animal and out it's feet, then travels back to the ground system. Only then does the animal 'feel' the shock.

Q. When I touch the fence, I don't feel any shock. Is that common?

A. Yes. If you're wearing boots or other insulated footwear, the circuit isn't completed. Shoes, especially work boots, insulate.

Q. I didn't get a voltage when I used my household multi meter. Is my fence broken?

A. No. Only testers designed for electric fencing will measure voltage accurately because of the extremely short pulse.

Q. My fence charge quit working. What do I do?

A. Go to www.dareproducts.com to view the Electric Fence Problem Solver or call 1-800-922-3273 for assistance.

Q. What if I'm not getting enough voltage out on to my fence?

A. Check connections on your ground system. Inadequate grounding will reduce the voltage on your fence. Refer to problem solver mentioned in question 5.

Q. Do I have to do anything special during storms?

A. It is recommended to unplug any fence energizer on any fence regardless of size during lightning storms if possible. Using a good surge protector will reduce the risk of damage from a power surge to your fence energizer.

Q. How many wires do I need to use?

A. Depending on the type of animals you are trying to control, you may only need 1, but 2, 3 or even 4 strands are sometimes used. Ideally you want the nose of the animals to make contact with the hot wire. Additional wires touching the chest or back of neck when trying to get under the fence also works well.

Replacement Parts Order Form		
Garden Grow Electric Fence Kit		
Part #	Description	Quantity
3466	24" Posts	
3467	250' Heavy Duty Polywire (Also available in 200 and 400 m rolls)	
3468	15' and 18 gauge Hook-up Wire	
2400	48" Step-in Posts Specify color: W-White B-Black Y-Yellow O-Orange	
2600W	63" Step-in Posts (White Only)	
2411	Digital Voltmeter	
3360	Eight Light Tester	
1360	Five-O-Lite Tester	
3400	Electric Fence Warning Sign	
DS 20	6 Volt SOLAR Fence Energizer- Controls up to 10 acres	
DE 120	110V .3 Joule Fence Energizer- Controls up to 20 acres	
DS 140	4 'D' Cell Battery Fence Energizer- .35 Joule POWERFUL! Controls up to 35 acres	
Visit www.dareproducts.com for a complete catalog of products available.		
DARE PRODUCTS, INC. 860 BETTERLY ROAD, SPRINGFIELD, MI 49037-8340 P.O. BOX 157, BATTLE CREEK, MI 49016-0157 1-800-922-3273		

To order replacement parts, please fill out order form, tear out and mail in or call Dare Products.

Customer Information: Name: _____

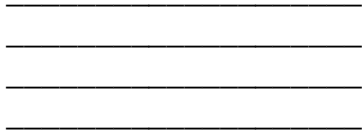
Shipping Address: _____ Phone: _____

City: _____ State: _____ Zip: _____

Billing Information: Credit Card #: _____

Expiration Date: ____/____/____ 3-digit Code: _____

Call for purchase if you prefer. 1-800-922-DARE (3273)

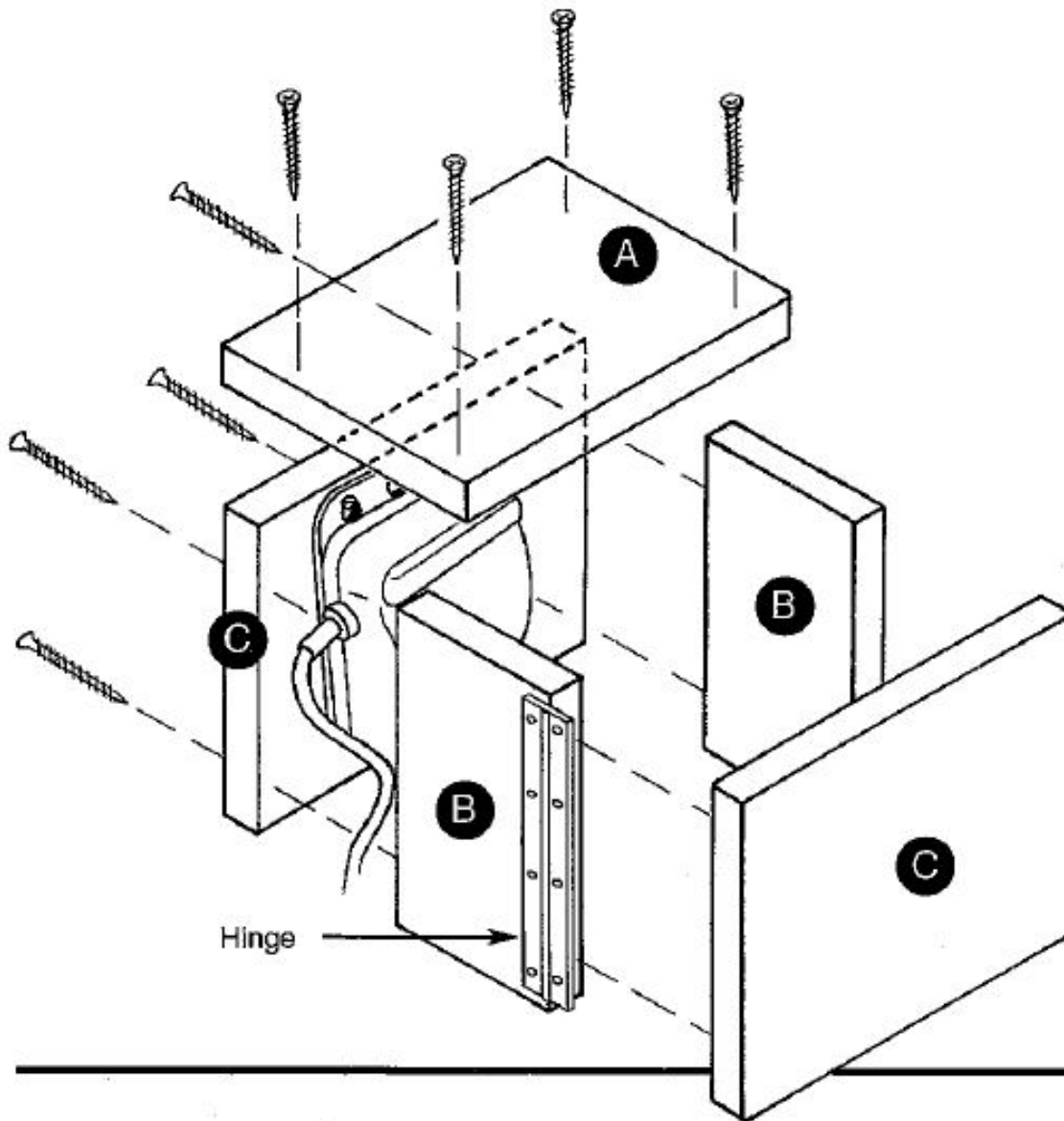


Place
Stamp
Here

Dare Products, Inc.
860 Betterly Road
Springfield, MI 49037

Fold on line and tape closed.

Example of Housing Cover for Your Energizer



Top A 7.5" x 6" x .75"

Side Panels B 3.75" x 7.75" x .75"

Front and Back Panels C 7.5" x 7.75" x .75"

Tips:

- Pre-Drill pilot holes for screws
- Screws- Use 1 1/2" Deck Screws
- Keep it simple– You're not building a piano!

DARE Products Warranty

30 Day Satisfaction Guarantee

Dare Products guarantees your complete satisfaction with this Electric Fence Kit. If you are not satisfied with this product, you may return to the original place of purchase within 30 days for a full refund.

Limited Warranty

Dare Products warrants this fence energizer to the original purchaser for a period of two (2) years from the date of purchase, when installed in accordance with the enclosed installation instructions. You must retain your receipt for proof of purchase. This warranty also covers damage to the energizer caused by lightning and voltage spikes.

Terms That Apply to Both the Guarantee and Warranty

Improper installation, misuse, neglect and tampering of any kind are NOT covered under the 30-Day Guarantee or the Limited Warranty. No warranty other than the above is expressed or implied. Implied warranties of merchantability and fitness for a particular application are hereby disclaimed unless the law specifically precludes this disclaimer. The manufacturer and the seller shall have no liability for damages, incidental or consequential, resulting from or caused by any failure, malfunction or defect of any product.

The sole obligation of Dare Products shall be limited to repair or replacement, at its option, of the defective energizer or part and prepaid return to the owner.

To make a claim, call Dare Products at (800) 922-3273

DARE



Dare Products, Inc. • (800) 922-3273

www.dareproducts.com

AD-4035